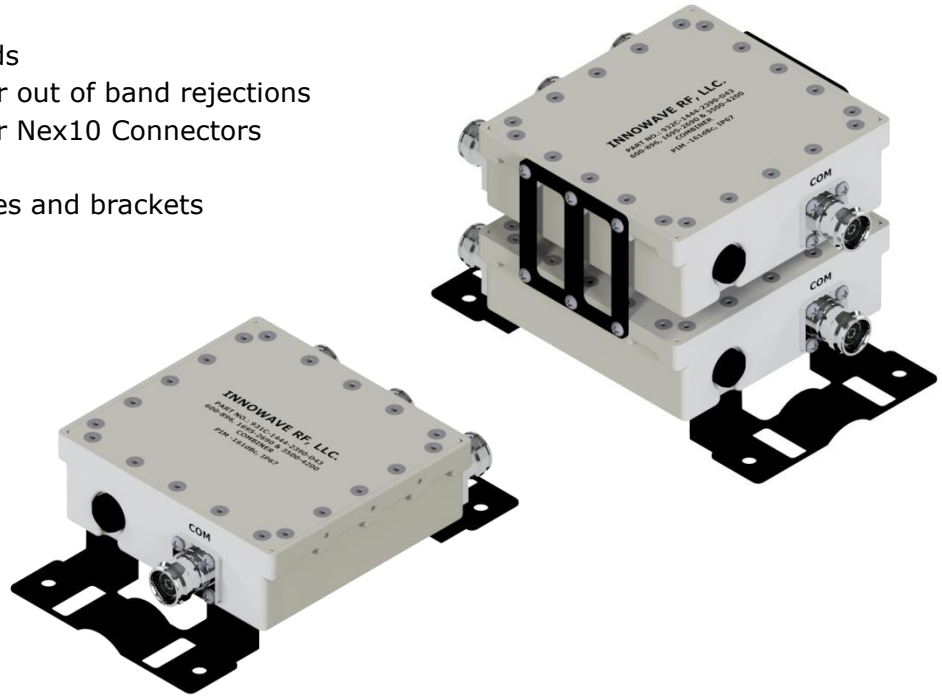
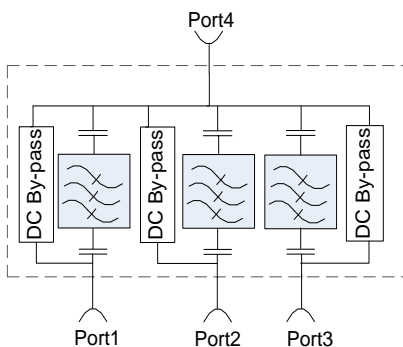


**FEATURES:**

- Splits or combines the **600MHz-B71, 700MHz-LTE, 850 Bands** (600MHz-896MHz), **AWS-1, AWS-3, PCS, WCS, BRS Bands** (1695MHz-2690MHz) and **Extended CBRS Band** (3500MHz-4200MHz)
- Excellent Isolation between the bands
- Very low Insertion Loss with superior out of band rejections
- Available in DIN, Mini-DIN, 4.3-10 or Nex10 Connectors
- Low-PIM with High Power Handling
- Ease of Mounting with mounting holes and brackets
- RoHS Complaint
- Weatherproof for Outdoor use



**ELECTRICAL SPECIFICATIONS:**

Frequency Bands	<b>Port 1 (600,700,850)</b> 600-896 MHz	<b>Port 2 (1900,2100,2300,2500)</b> 1695-2690 MHz	<b>Port 3 (CBRS)</b> 3500-4200 MHz
Passband Insertion Loss	0.30 dB		
Isolation	≥ 40dB @ 1695-2690 MHz ≥ 40dB @ 3500-4200 MHz	≥ 40dB @ 600-896 MHz ≥ 40dB @ 3500-4200 MHz	≥ 40dB @ 600-896 MHz ≥ 40dB @ 1695-2690 MHz
Return Loss	20 dB		
Impedance	50 Ohms		
Input Power	250 Watts (Avg); 500 Watts (Peak)		
Intermodulation (PIM - 3 <sup>rd</sup> )	-161dBc (2 Tones +43 dBm)		
DC Pass Current	3000mA (Typ)		
Lightning Protection	8/20S 10kA Pulse (IEC 801-5)		
MTBF Hours	≥ 500,000		

**MECHANICAL SPECIFICATIONS:**

Connectors:	DIN (D) / Mini-DIN (MD) / 4.3-10 (D43) / Nex10(X10)
Housing Finish:	Aluminum Body
Mounting Method:	Mounting Holes
Weight:	2.0 lbs (Single) / 4.0 lbs (Dual)
Temperature Range:	-30°C to 60°C
Humidity:	5% – 95%
Environment:	IP67

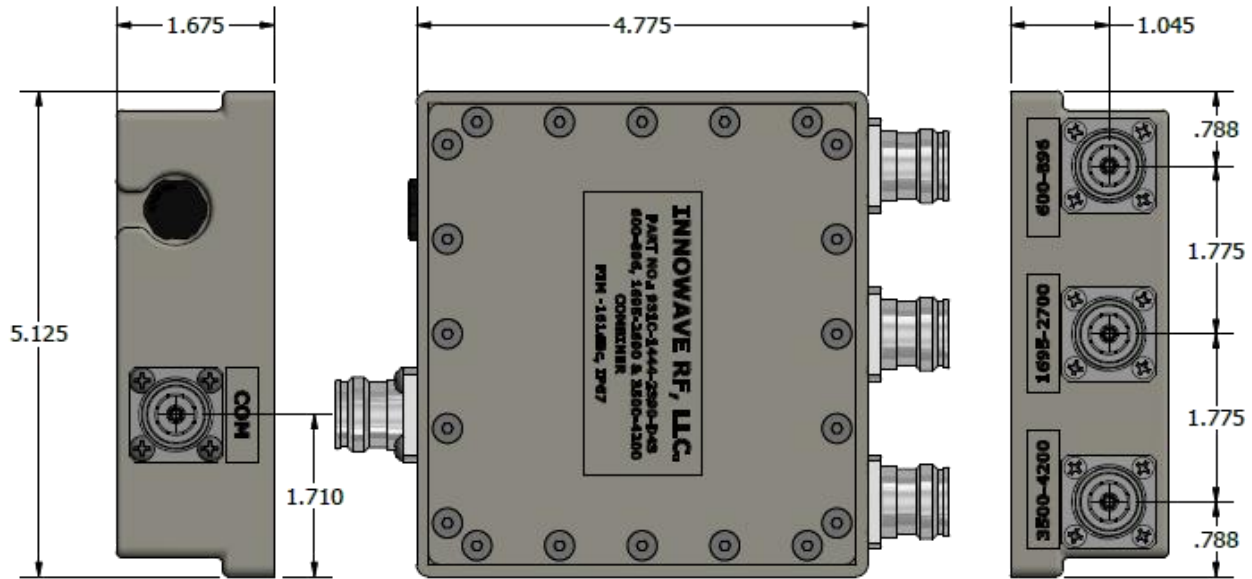
**\*\*\* ORDERING INFO:**

**Single Model:** Part#: 931C-1444-3390-\*

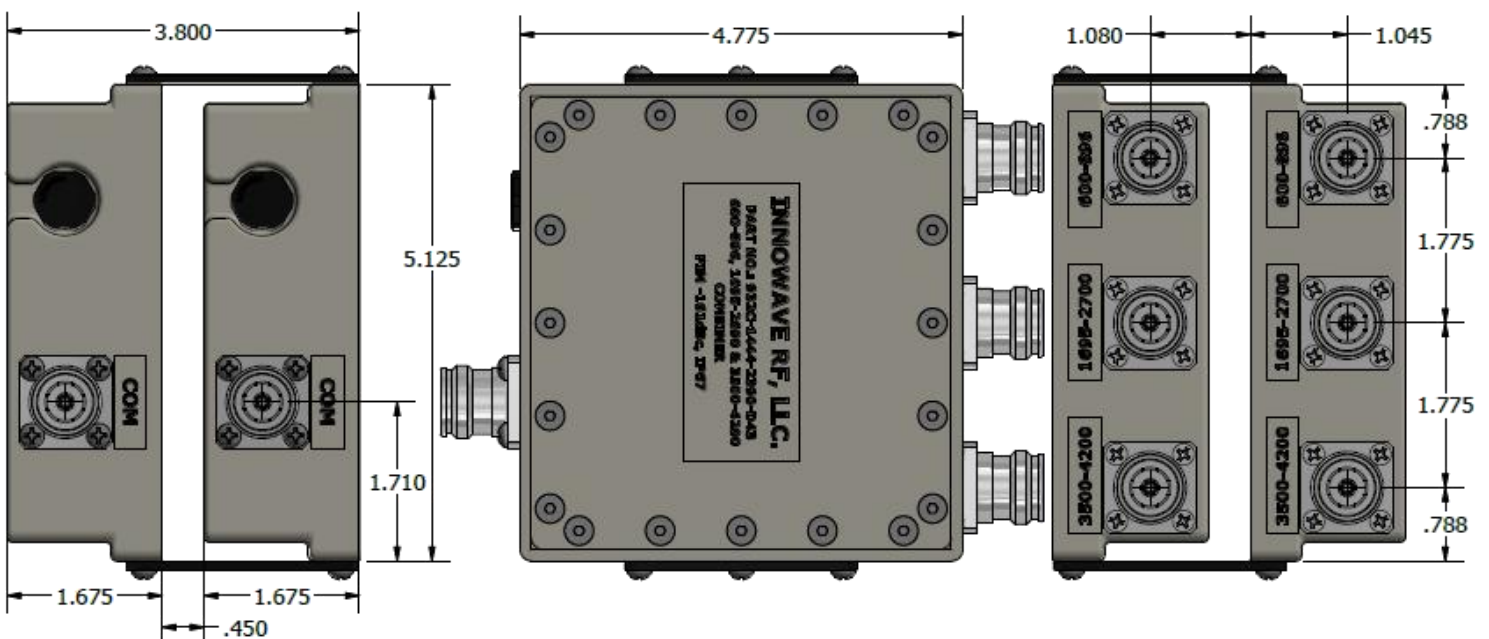
**Dual Model:** Part#: 932C-1444-3390-\*

\* - Connector Option

**Dimensions for 931C-1444-3390-D43**



**Dimensions for 932C-1444-3390-D43**



Please contact our sales department at 737-200-7090 or [sales@InnowaveRF.com](mailto:sales@InnowaveRF.com) for any custom requirements.

© Innowave RF, LLC. All Rights Reserved. Specs can change without notice. Drawings are for reference purpose only.