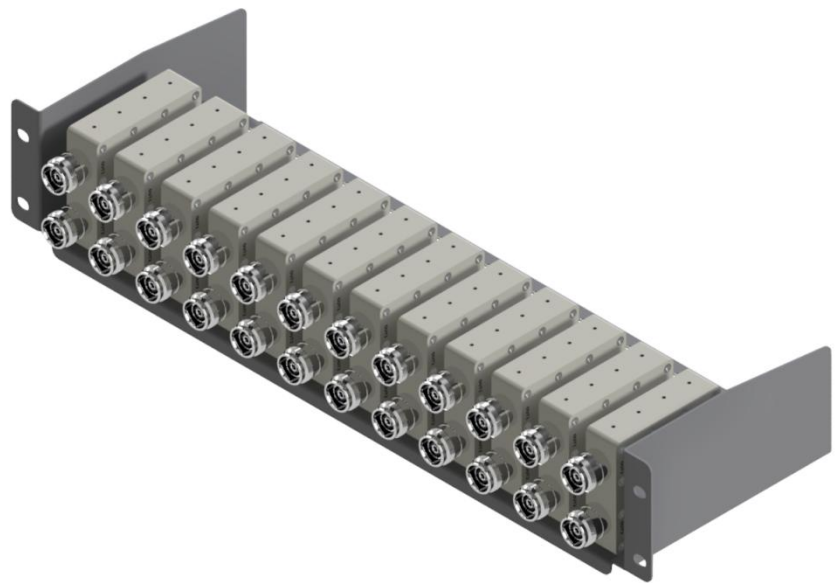


**ASSM-112BR Series** is an array of 2-Way In-Line Power Splitters mounted on a 2RU Sub-Rack Tray (PN: R112B-2RU). Up to 12x of the Reactive Splitters (Model #: 112B-600-6000-D43) can be mounted on a rack tray. Each of these splitters has an independent RF path. The Splitters' Input and Output connectors are In-Line, which makes connection on a Rack Frame or H-Frame simple and straightforward with split ends in the front and the Common at the back of the Rack, or vice-versa. They cover all the traditional Cellular frequencies, including the CBRS, C-Bands and LTE-LAA. When mounted on a DAS Tray, they can be used to split signals coming out of Attenuator Modules into different zones in In-Building Systems. It also has a very low Insertion Loss with an outstanding VSWR at all three ports.

Each Assembly includes the following:

- **2RU Sub-Rack (PN: R112B-2RU)** – Holds up to 12x 2-Way In-Line Splitter Modules
- **2-Way In-Line Power Splitter with 4.3-10 Connectors (PN: 112B-600-6000-D43)**

- Up to 12x 2-Way In-Line Splitter Modules on 2RU tray
- Each Splitter has independent RF Path
- In-Line Input & Output Connectors  
INPUT – 4.3-10 (F)  
OUTPUT – 4.3-10 (F)
- **CBRS / C-Band / LTE-LAA** Ready
- Low PIM , -161dBc
- In Stock to low lead time delivery



**SPECIFICATIONS for 2-Way IN-LINE SPLITTER MODULE**

**PN: 112B-600-6000-D43:**

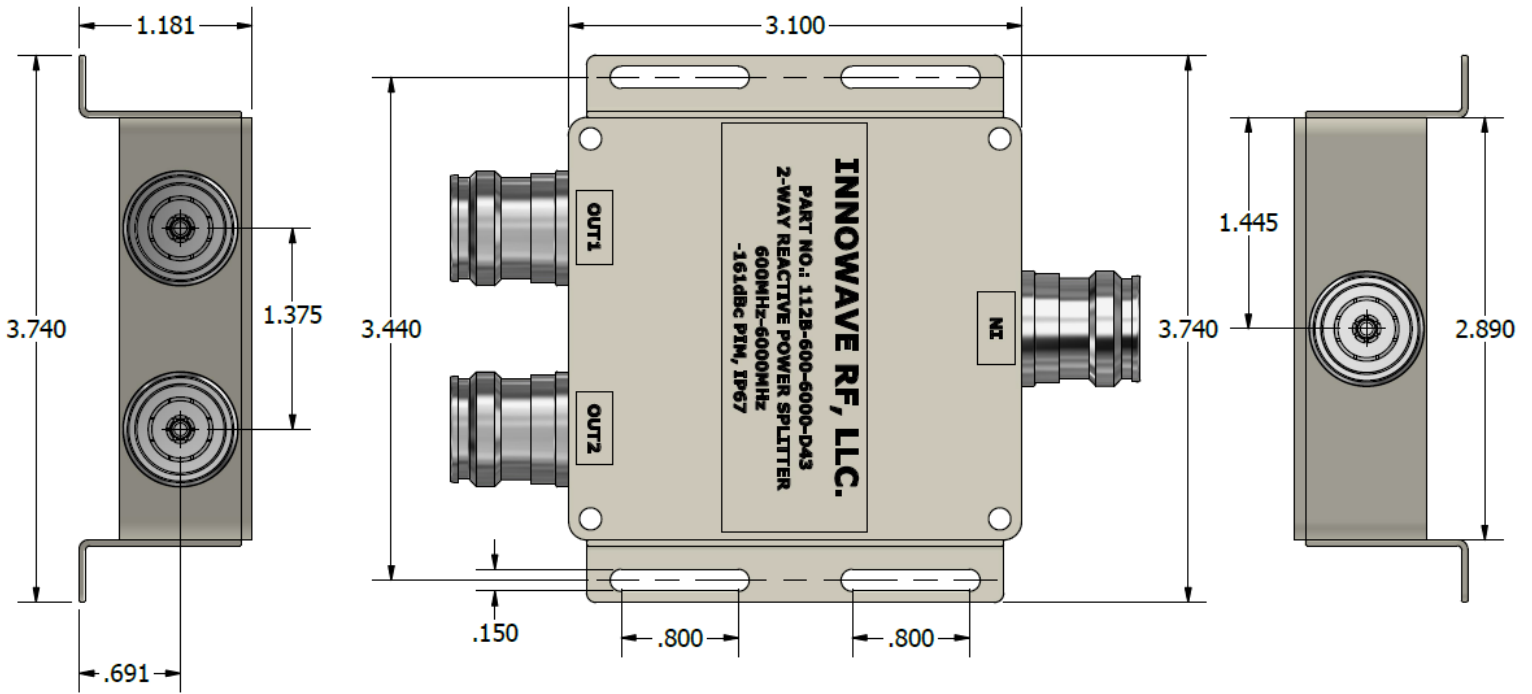
Frequency Range	600 MHz – 6000 MHz
Passband IL (Over the theoretical loss 3dB)	0.25 dB @ 600-2700 MHz 0.35 dB @ 2700-4200 MHz 0.50 dB @ 4200-6000 MHz
VSWR	≤ 1.25 @ 600-2700 MHz ≤ 1.30 @ 2700-4200 MHz ≤ 1.30 @ 4200-6000 MHz
Power Handling	300 W (Avg)
Intermodulation (PIM - 3 <sup>rd</sup> )	-163 dBc (Typ) (2 Tones +43 dBm)
Impedance	50 Ohms
Temperature Range	-30°C to 75°C
Connector	IN – 4.3-10(F) / OUT – 4.3-10(F)
Weight	1.00 lbs
Dimensions (in)	2.89”(W) x 0.90”(H) x 3.10”(D)

**SPECIFICATIONS for 2RU Sub-Rack**

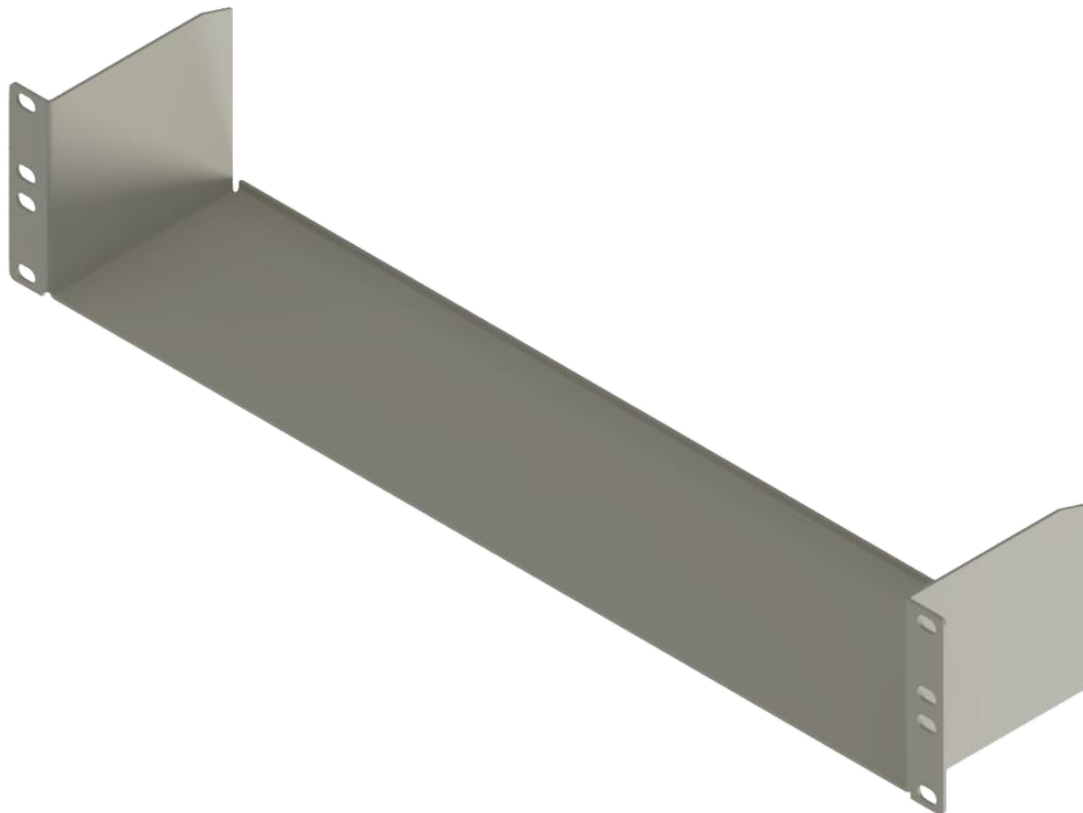
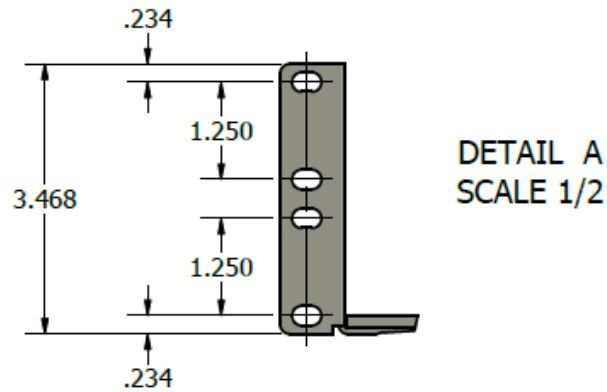
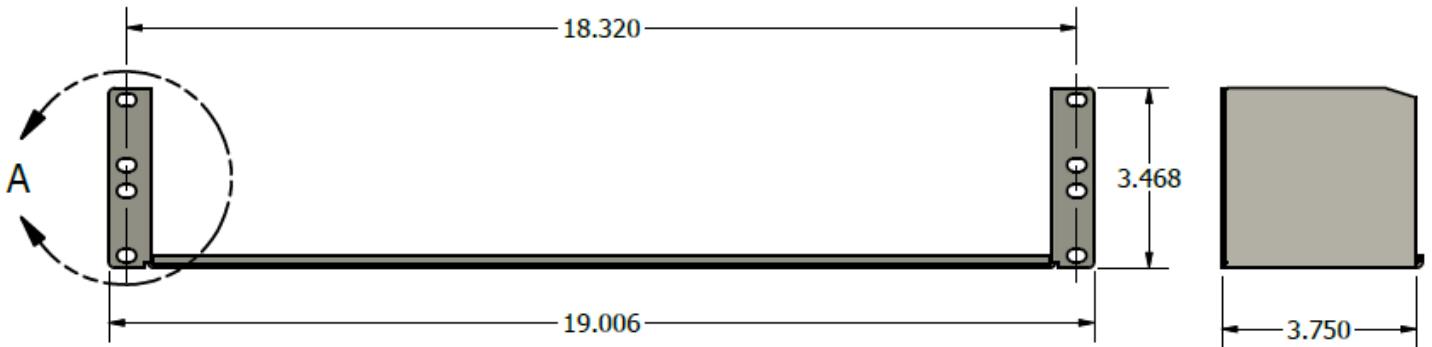
**PN: R112B-2RU:**

2-Way In-Line Splitter Module	12 (max)
Rack Space Needed	2 RU
Temperature Range	-30°C to 70°C
Weight	3.00 lbs
Dimensions	3.47”(H) x 19.00”(W) x 3.75”(D)

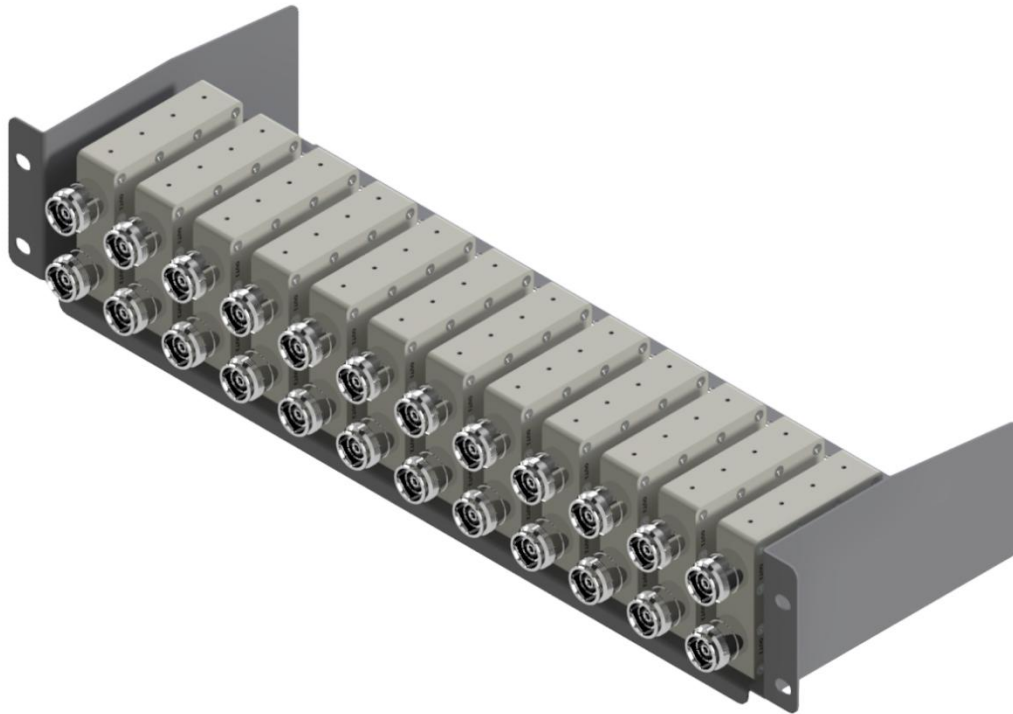
**Dimensions for 2-Way In-Line Power Splitter Module (PN: 112B-600-6000-D43)**



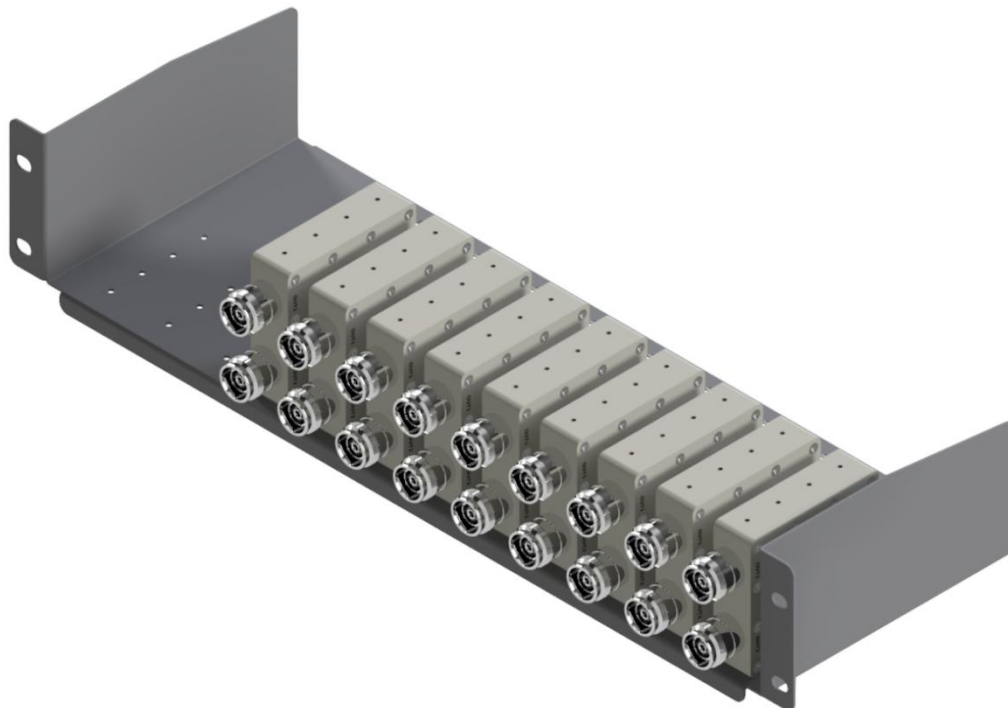
**Dimensions for 2RU Sub-Rack (PN: R112B-2RU)**



**ASSM-112BR-12-D43 with up to 12x 2-Way In-Line Power Splitters**



**ASSM-112BR-9-D43 with up to 9x 2-Way In-Line Power Splitters**



Please contact our sales department at 737-200-7090 or [sales@InnowaveRF.com](mailto:sales@InnowaveRF.com) for any custom requirements.

© Innowave RF, LLC. All Rights Reserved. Specs can change without notice. Drawings are for reference purpose only.