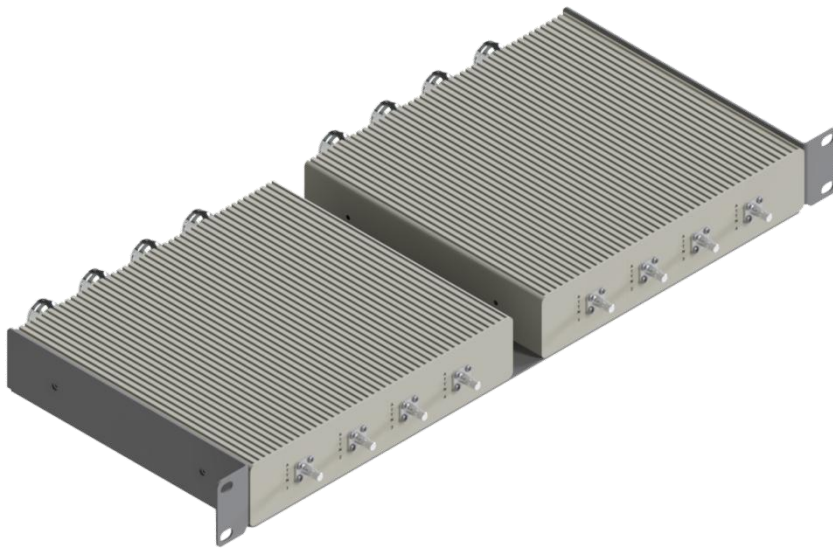


R314LH-30 Series is a horizontally mounted Modular DAS Tray solution that can hold up to 2 Attenuator Modules on a 1RU High Rack or H-Frame. As and when the sectors are added, additional trays can be mounted on the H-Frame. Each Attenuator Module (Model #: 314LH-30-D43-QMA) has 4x 30dB attenuators integrated in one housing, each having its own independent RF path. Each attenuator path can handle 50W of power and operates from 600MHz - 4200MHz. These attenuators are guaranteed for Low-PIM performance in the entire frequency range. They come with 4.3-10(F) Connector on the Input side and QMA(F) connector on the Output side.

This DAS Tray Solution is a complete **Passive System** and requires no additional Interface Card or AC power for this to operate. Each DAS Solution includes the following:

- **1RU Sub-Rack (PN: R314LH-1RU)** – Holds up to 2 Attenuator Modules
- **Attenuator Module (PN: 314LH-30-D43-QMA)**
(Each Module has 4x 30dB Attenuator, each having an independent RF path)



- Up to 2 Attenuator Modules on 1RU tray
- Additional Modules can be added as needed
- Each Module has 4x 30dB Attn with each having an independent RF Path.
- INPUT - 4.3-10 (F)
OUTPUT – QMA (F)
- **CBRS / C-Band** Ready
- Low PIM , -161dBc
- In Stock to low lead time delivery

SPECIFICATIONS for 1RU Sub-Rack

PN: R314LH-1RU:

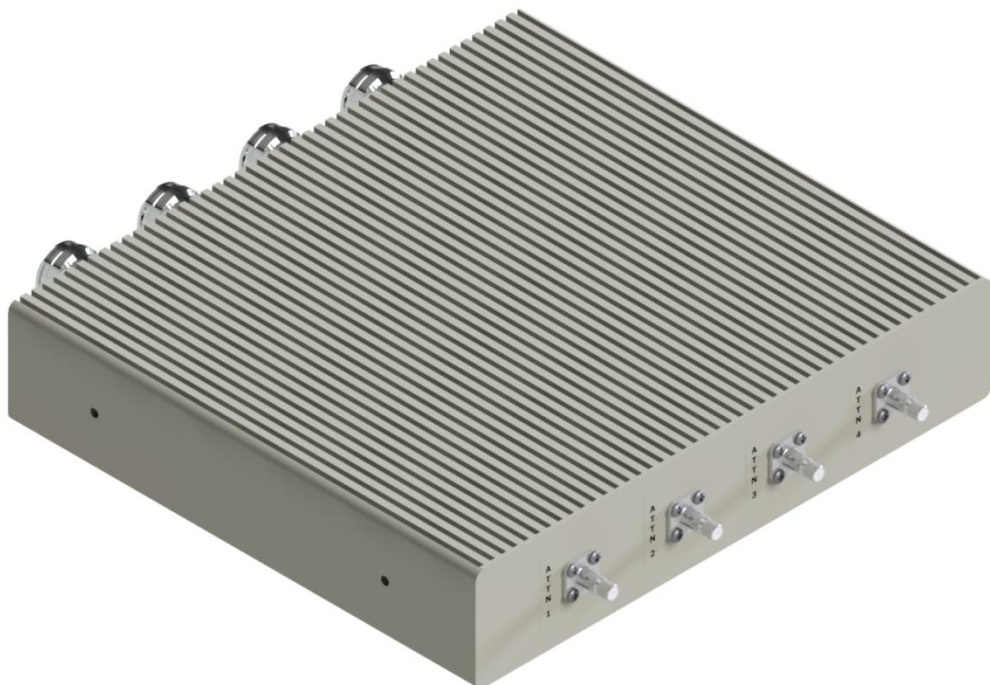
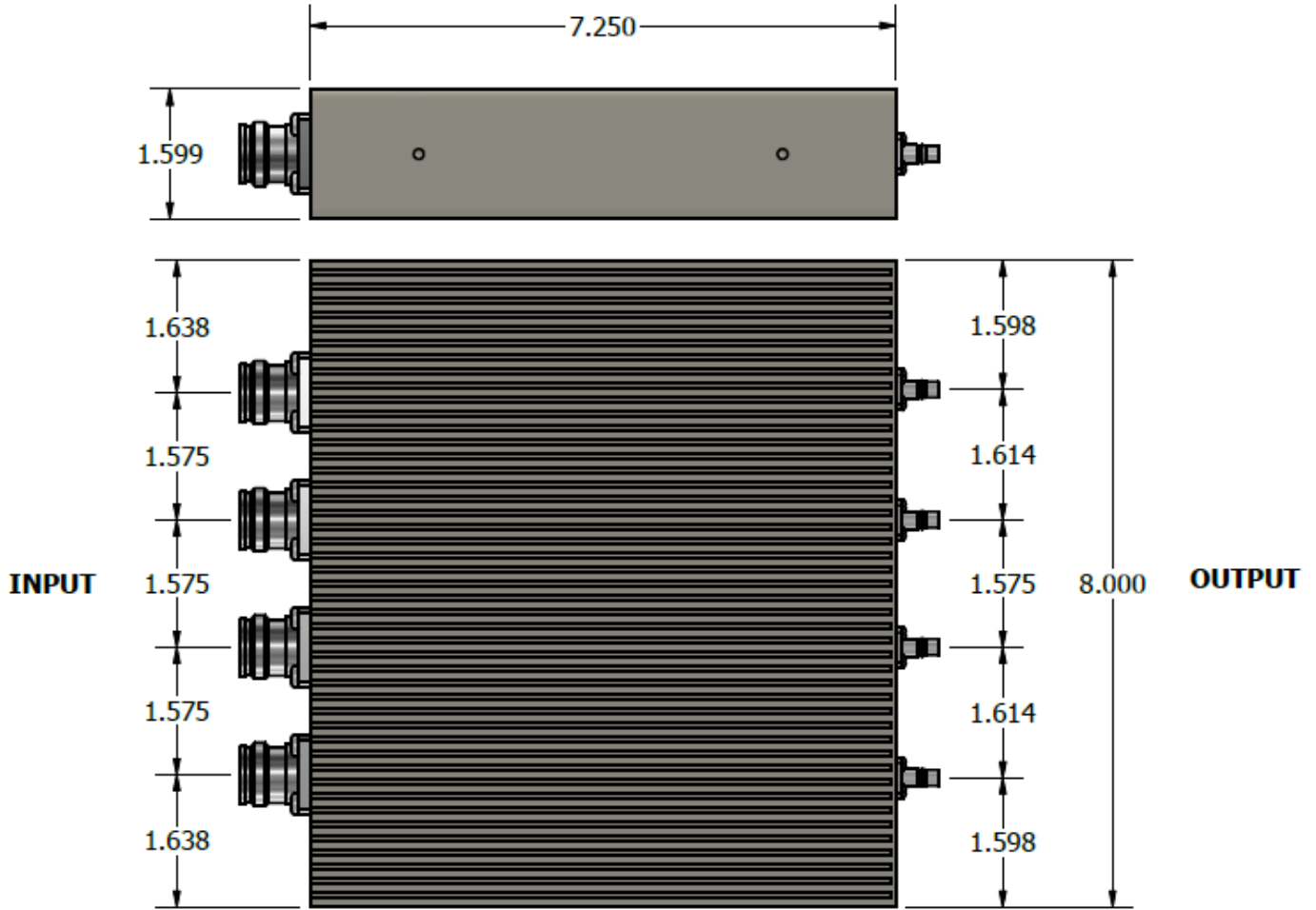
| | |
|--------------------|---------------------------------|
| Attenuator Modules | 2 (max) |
| Rack Space Needed | 1 RU |
| Temperature Range | -30°C to 70°C |
| Weight | 2.00 lbs |
| Dimensions | 1.72"(H) x 18.88"(W) x 7.37"(D) |

SPECIFICATIONS for ATTN MODULE

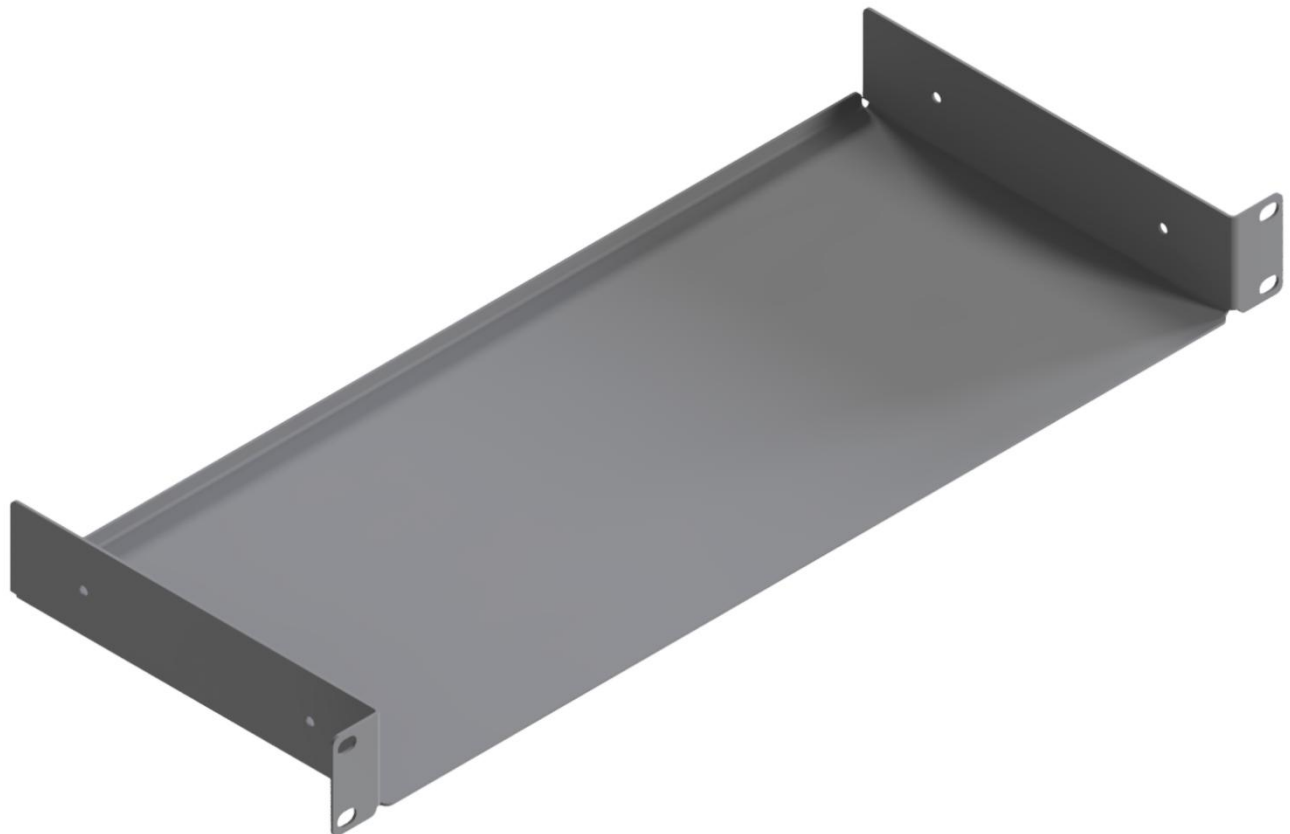
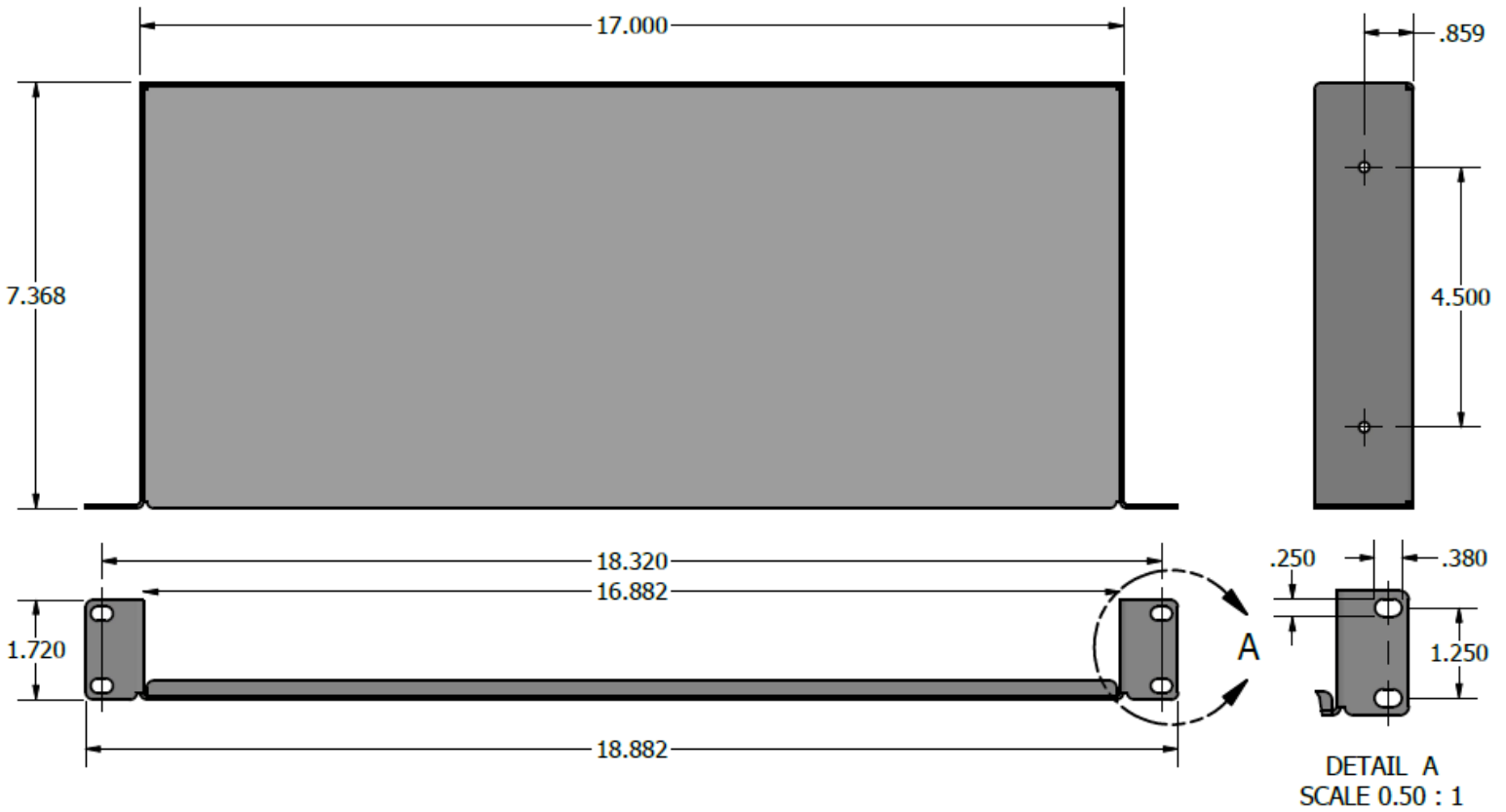
PN: 314LH-30-D43-QMA:

| | |
|--|----------------------------------|
| Attenuation | 30dB |
| Attenuation Accuracy | ±1.25 |
| No. of Attenuators | 4 (Independent RF Path) |
| Frequency Range | 600MHz - 4200MHz |
| Return Loss | 20 dB (Typ) |
| Intermodulation (PIM - 3 rd) | -161 dBc (Typ) (2 Tones +43 dBm) |
| Impedance | 50 Ohms |
| Input Power | 50W (Average Power) |
| Temperature Range | -30°C to 70°C |
| Connector | IN - 4.3-10(F) / OUT – QMA(F) |
| Weight | 7.50 lbs |
| Dimensions (in) | 1.60"(H) x 8.00"(W) x 7.25"(D) |

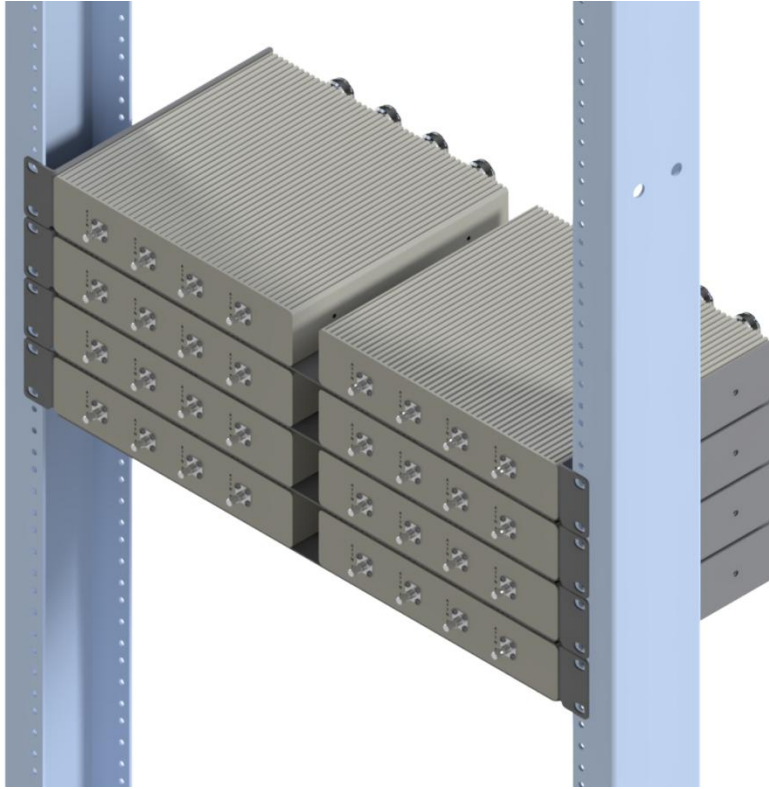
Dimensions for Attenuator Module (PN: 314LH-30-D43-QMA)



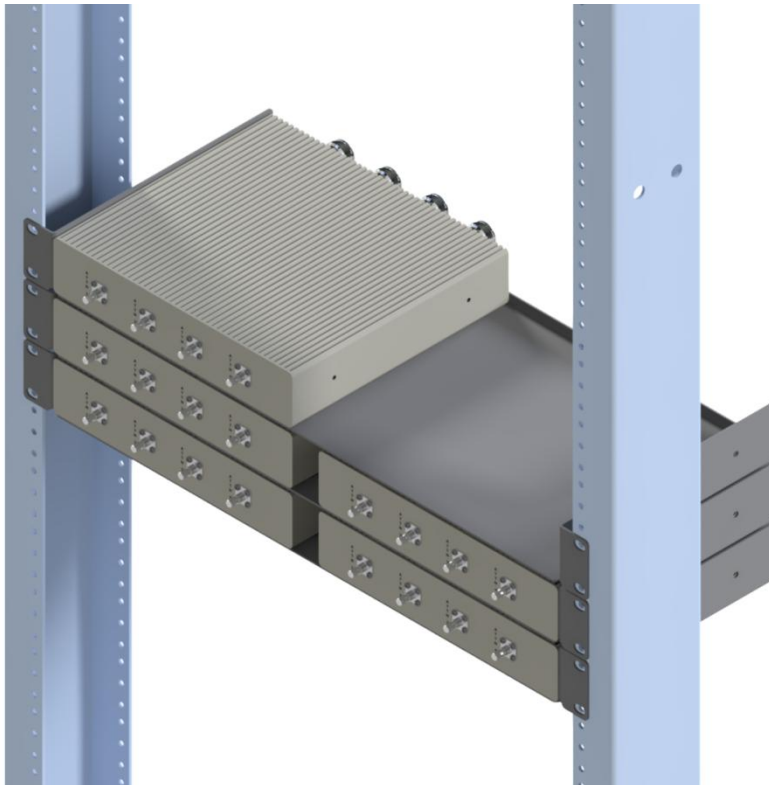
Dimensions for 4RU Sub-Rack (PN: R314LH-1RU)



R314LH-1RU Assembly with 8 Attenuators



R314LH-1RU Assembly with 5 Attenuators



Please contact our sales department at 737-200-7090 or sales@InnowaveRF.com for any custom requirements.

© Innowave RF, LLC. All Rights Reserved. Specs can change without notice. Drawings are for reference purpose only.