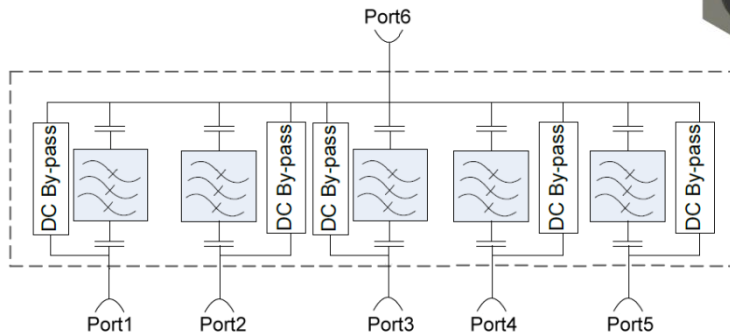


FEATURES:

- Splits or combines **700LTE+FN Band** (698MHz-787MHz), **850 Band** (815MHz-896MHz), **PCS Band** (1850MHz-2000MHz), **AWS-1, AWS-3 Bands** (1695MHz-1780MHz & 2110MHz-2200MHz) and **WCS, BRS Bands** (2300MHz-2690MHz)
- Excellent Isolation between the bands
- Very low Insertion Loss with superior out of band rejections
- Available in DIN, Mini-DIN, 4.3-10 or Type-N Connectors
- Ease of Mounting with mounting holes and brackets
- Low-PIM with High Power Handling
- RoHS Complaint
- Weatherproof for Outdoor installation
- In Stock and Available Immediately



ELECTRICAL SPECIFICATIONS:

Frequency Bands	700 LTE + FN 698 - 787 MHz	850 815 - 896 MHz	PCS 1850 - 2000 MHz	AWS-1, AWS-3 1695 - 1780 MHz 2110 - 2200 MHz	WCS, BRS 2300 - 2690 MHz
Passband Insertion Loss	0.35 dB				
Isolation	≥ 40 dB				
Return Loss	21 dB				
Impedance	50 Ohms				
Input Power	250 Watts (Avg); 2500 Watts (Peak)				
DC Pass Current	4000 mA (Typ)				
Intermodulation (PIM-3 rd)	-161dBc (2 Tones +43 dBm)				
Lightning Protection	8/20S 10KA Pulse (IEC801-5)				
MTBF Hours	≥ 500,000				

MECHANICAL SPECIFICATIONS:

- Connectors: 7/16 DIN (D) / Mini-DIN (MD) / 4.3-10 (D43) / Type-N (N)
- Housing Finish: Aluminum Body
- Mounting Method: Mounting Panel
- Weight: 6.50 lbs
- Temperature Range: -35°C to 75°C
- Relative Humidity: 5% - 95%
- Environment: IP67

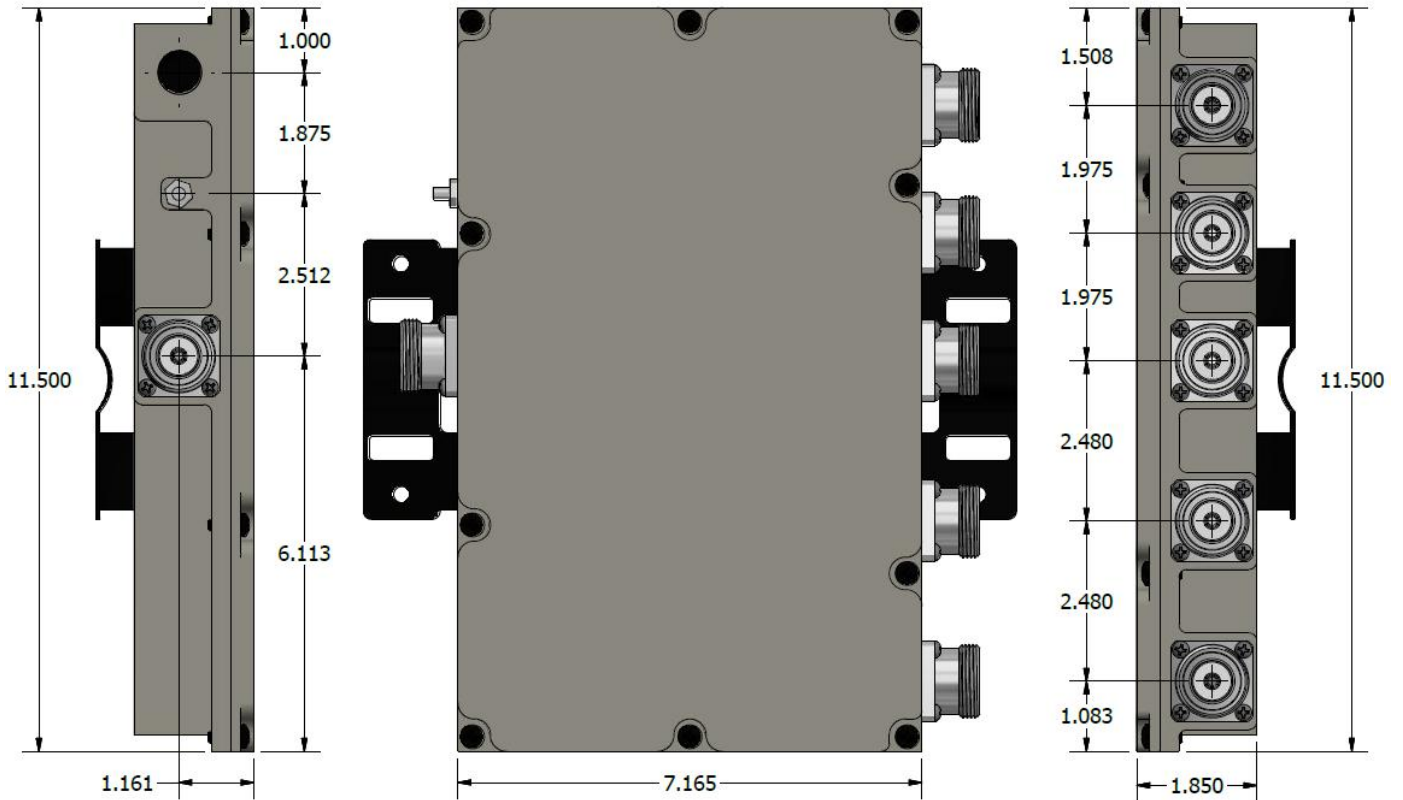
***** ORDERING INFO:**

Single Model: Part#: 951C-1250-2490-*

Dual Model: Part#: 952C-1250-2490-*

* - Connector Option

Dimensions for 951C-1250-2490-D



Please contact our sales department at 737-200-7090 or sales@InnowaveRF.com for any custom requirements.
 © Innowave RF, LLC. All Rights Reserved. Specs can change without notice. Drawings are for reference purpose only.