

Innovation in Every Wave

303L-150 Series of Low-PIM Ultra Wideband RF Terminations operates from 600MHz to 6000MHz and is rated at 150 Watts of power. These terminations are mechanically well constructed to allow maximum heat dissipation to sustain long life by preventing temperature hot spots. These are precision machined, robust and can be used over a wide range of temperature and environmental conditions. These terminations are also available with Female connectors. They can be used for both Indoor and Outdoor DAS applications.

FEATURES:

- **CBRS, C-Band and LTE-LAA** Ready
- Low-PIM performance, -161dBc (min)
- Superior Mechanical Construction
- 150 Watts Power Handling
- Low VSWR from 600MHz to 6000MHz
- *RoHS* Compliant
- In stock and available immediately
- Available in 4.3-10 or NEX10 connectors



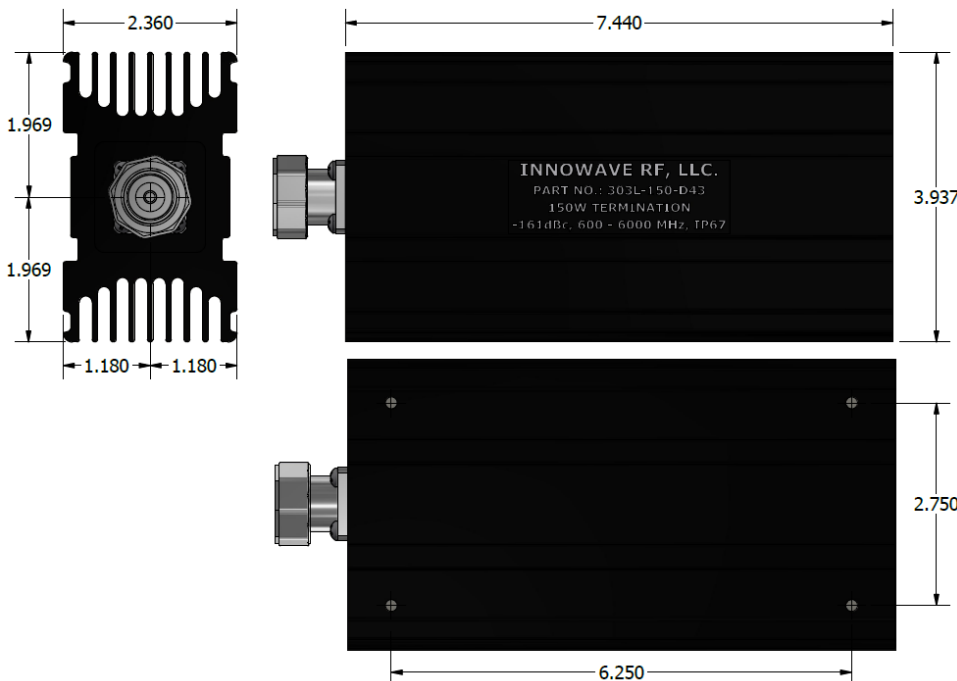
ELECTRICAL SPECIFICATIONS:

Frequency Range:	600MHz – 6000MHz
VSWR	≤ 1.25 (Typ) @ 600-3300 MHz ≤ 1.20 (Typ) @ 3300-4200 MHz ≤ 1.30 (Typ) @ 4200-6000 MHz
Input power:	150 Watts (Avg)
Impedance:	50 Ω
Intermodulation (PIM - 3rd):	-161 dBc (Min) (2Tones +43dBm)

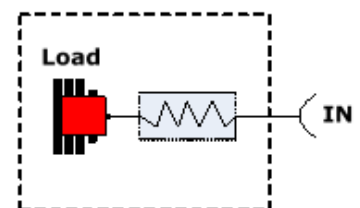
MECHANICAL SPECIFICATIONS:

Connectors:	4.3-10 (D43) NEX10 (X10)
Housing Finish:	Aluminum Body
Mounting Method:	Mounting Hole
Weight:	4.00 lbs
Temperature Range:	-35°C to 75°C
Relative Humidity:	5% - 95%
Environment:	IP67

Dimensions for 303L-150-D43



Block Diagram for 303L-150 Series



***** ORDERING INFO:**

- 4.3-10 Connector:** 303L-150-D43
- 4.3-10 (F) Conn:** 303L-150-D43F
- NEX10 Connector:** 303L-150-X10

Please contact our sales department at 737-200-7090 or sales@InnowaveRF.com for any custom requirements.

© Innowave RF, LLC. All Rights Reserved. Specs can change without notice. Drawings are for reference purpose only.