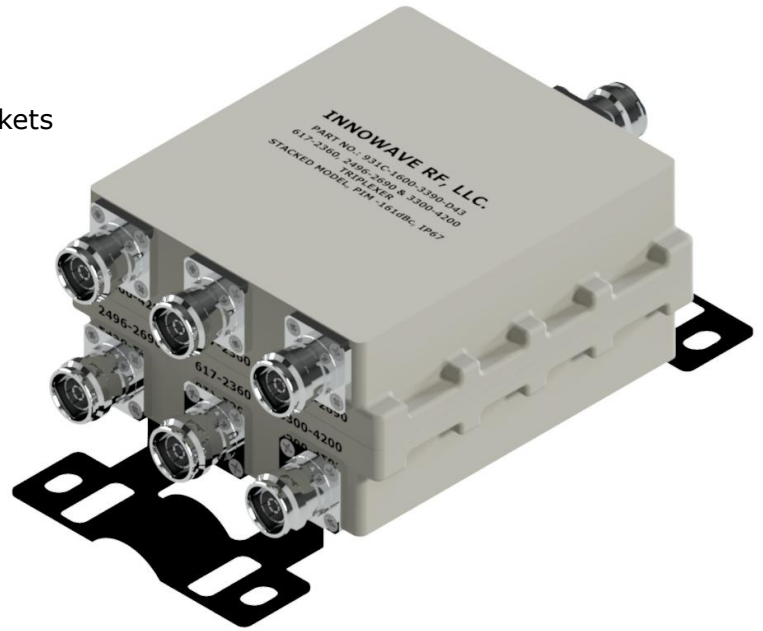
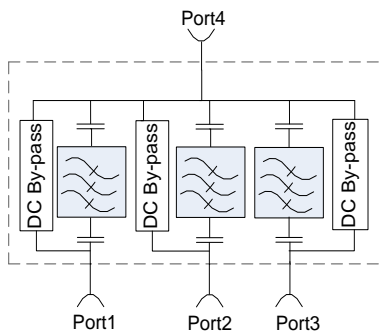


FEATURES:

- Splits or combines the **600 (B71), 700, 850, PCS, AWS-1&3, WCS Bands** (617MHz-2360MHz) and **BRS Band** (2496MHz-2690MHz), **CBRS, C-Band** (3300MHz-4200MHz)
- Excellent Isolation between the bands
- Very low Insertion Loss with superior out of band rejections
- Available in 4.3-10 or Nex10 Connectors
- Available in Dual/Stacked (932C) Model
- Low-PIM with High Power Handling
- Ease of Mounting with mounting holes and brackets
- RoHS Complaint
- Weatherproof for Outdoor use
- In Stock and Available Immediately

Block Diagram (x2)

ELECTRICAL SPECIFICATIONS:

Frequency Bands	600, 700, 850, PCS, AWS, WCS 617MHz - 2360MHz	BRS 2496MHz - 2690MHz	CBRS, C-Band 3300MHz - 4200MHz
Passband Insertion Loss	0.25 dB (Typ)		
Isolation	≥ 40 dB (Typ)		
Return Loss	21 dB (Typ)		
Impedance	50 Ohms		
Input Power	200 Watts (Avg); 1000 Watts (Peak)		
Intermodulation (PIM - 3 rd)	-161dBc (Min) (2 Tones +43 dBm)		
DC Pass Current	3000mA (Typ); 5000mA (Max)		
Lightning Protection	8/20S 10kA Pulse (IEC801-5)		
MTBF Hours	≥ 500,000		

MECHANICAL SPECIFICATIONS:

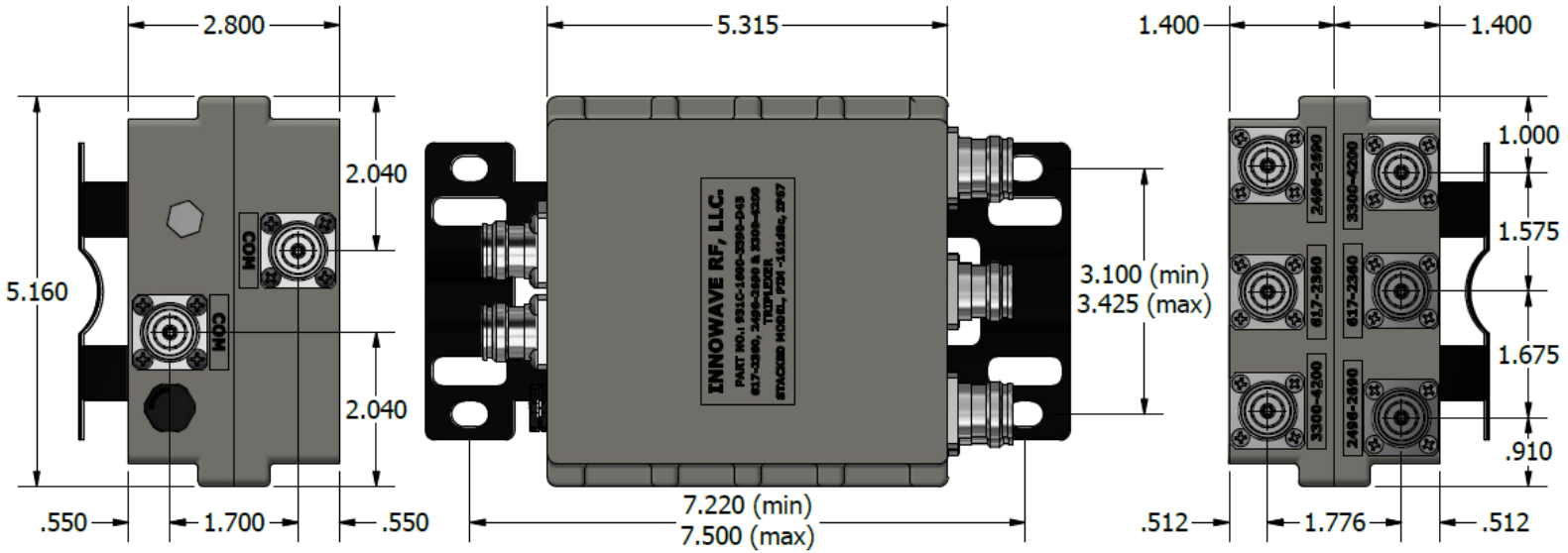
Connectors:	4.3-10 (D43) / Nex10 (X10)
Housing Finish:	Aluminum Body
Mounting Method:	Mounting Holes
Weight:	5.75 lbs
Temperature Range:	-30°C to 60°C
Humidity:	5% – 95%
Environment:	IP67

***** ORDERING INFO:**
Single Model: Part#: 931C-1600-3390-*

Dual Model: Part#: 932C-1600-3390-*

* - Connector Option

Dimensions for 932C-1600-3390-D43



Please contact our sales department at 737-200-7090 or sales@InnowaveRF.com for any custom requirements.
 © Innowave RF, LLC. All Rights Reserved. Specs can change without notice. Drawings are for reference purpose only.